

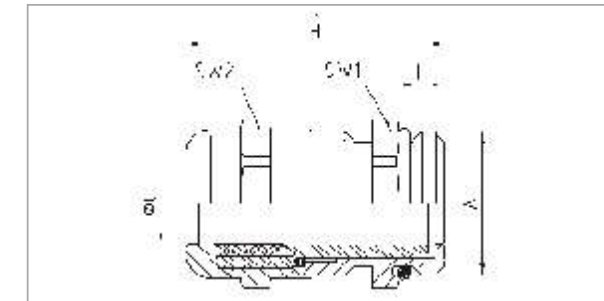
CABLE GLANDS

EMC CABLE GLAND

Configuration	
Dome nut	Brass CuZn39Pb3, nickel-plated
Lamellar insert	Polyamide PA6 V-2
Sealing ring	Polychloroprene-Nitrile rubber CR/NBR
Gland body	Brass CuZn39Pb3, nickel-plated
O-ring	Nitrile rubber NBR



Properties	
	For cables with shielding, integrated anchorage, protection against twisting, wide sealing and clamping range.
Temperature range	-20°C / +100°C
Protection grade	IP68 - 5 bar (30 min.)



Characteristics

Article No.	Description	A	ø C mm	R ₂₀ L mm	SW1 mm	SW2 mm	H mm	Pcs. Pkt.
01 09 00026	50.612M/EMV/L	M12x1,5	3 - 6	10	14	14	30	100
01 09 00027	50.616M/EMV/L	M16x1,5	5 - 9	10	17	17	35	100
01 09 00028	50.620M/EMV/L	M20x1,5	9 - 13	10	22	22	37,5	100
01 09 00029	50.625M/EMV/L	M25x1,5	11 - 16	11	27	27	40,5	50
01 09 00030	50.632M/EMV/L	M32x1,5	14 - 21	13	34	34	43	25
01 09 00031	50.640M/EMV/L	M40x1,5	19 - 27	13	43	43	46	10
01 09 00041	50.650M/EMV/L	M50x1,5	24 - 35	14	55	55	54,5	5
01 09 01071	50.663M/EMV/L	M63x1,5	32 - 42	14	65	65	56,5	5
01 09 01072	50.663M1/EMV/L	M63x1,5	38 - 48	14	65	65	56,5	5

CABLE GLANDS

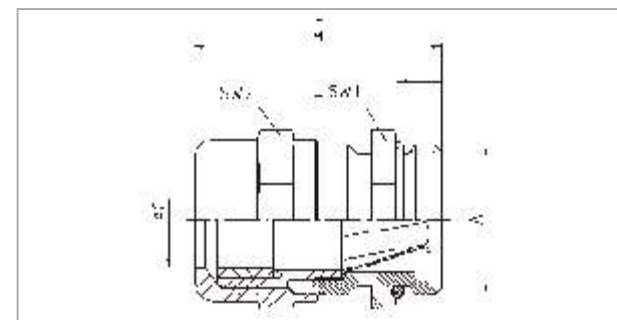
EMC CABLE GLAND

Configuration

Dome nut	Brass CuZn39Pb3, nickel-plated
Lamellar insert	Polyamide PA6 V-2
Sealing ring	Polychloroprene-Nitrile rubber CR/NBR
Contact spring	Stainless steel
Gland body	Brass CuZn39Pb3, nickel-plated
O-ring	Nitrile rubber NBR

Properties

Temperature range	-20°C / +100°C
Protection grade	IP68



Characteristics

Article No.	Description	A	ø C mm	H ₇₃ L mm	SW1 mm	SW2 mm	H mm	Pcs. Pkt.
01 09 00048	50.616 M/EMVD	M16x1,5	5 - 9	5	17	17	30	100
01 09 00049	50.620 M/EMVD	M20x1,5	9 - 13	6	22	22	33,5	100
01 09 00050	50.625 M/EMVD	M25x1,5	11 - 16	7	27	27	36,5	50
01 09 00051	50.632 M/EMVD	M32x1,5	14 - 21	8	34	34	38	25
01 09 00052	50.640 M/EMVD	M40x1,5	19 - 27	8	43	43	41	10



Design allows for quick and easy EMC connection of the cable shield via the contacting spring and the gland body

ACCESSORIES

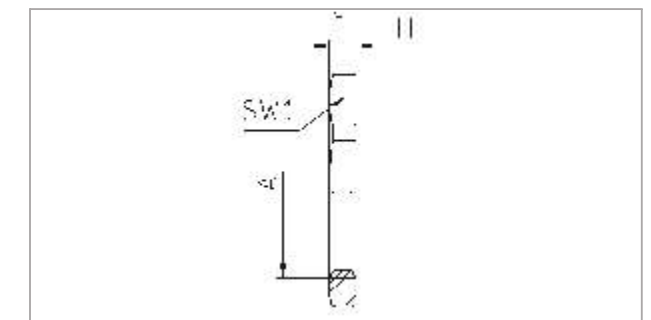
HEXAGONAL LOCKNUT

Configuration

Hexagonal locknut	Brass CuZn39Pb3, nickel-plated
-------------------	--------------------------------

Properties

Temperature range	For secure tightening of cable glands and accessories up to +200°C
-------------------	--



Characteristics

Article No.	Description	A	SW1 mm	H mm	Pcs. Pkt.
01 09 00477	50.212 M	M12x1,5	15	2,8	100
01 09 00478	50.216 M	M16x1,5	19	2,8	100
01 09 01051	50.220 M	M20x1,5	24	3	100
01 09 00920	50.225 M	M25x1,5	30	3,5	100
01 09 00476	50.232 M	M32x1,5	36	4	100
01 09 00479	50.240 M	M40x1,5	46	5	50
01 09 00480	50.250 M	M50x1,5	60	5	50
01 09 00902	50.263 M	M63x1,5	70	6	50
01 09 00467	207 M	Pg 7	15	2,8	100
01 09 00468	209 M	Pg 9	18	2,8	100
01 09 00469	211 M	Pg 11	21	3	100
01 09 00470	213 M	Pg 13,5	23	3	100
01 09 00471	216 M	Pg 16	26	3	100
01 09 00023	221 M	Pg 21	32	3,5	50
01 09 00024	229 M	Pg 29	41	4	50
01 09 00473	236 M	Pg 36	51	5	50
01 09 01049	242 M	Pg 42	65	5	50
01 09 00475	248 M	Pg 48	69	5,5	50

ACCESSORIES

HEXAGONAL LOCKNUT

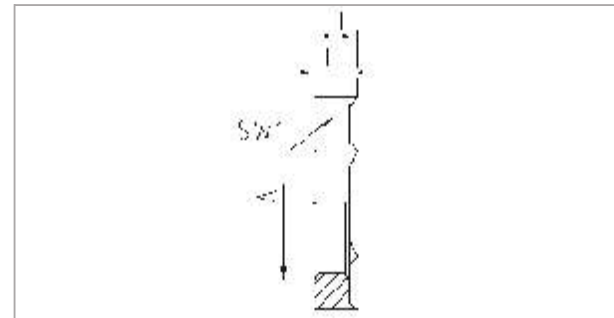
Configuration

Hexagonal locknut Brass CuZn39Pb3, nickel-plated

Properties

With cutting edges For secure tightening of EMC-cable glands, ensuring optimal contact for equipotential bonding, increased vibration resistance,

Temperature range up to +200°C



Characteristics

Article No.	Description	A	L	SW1	H	Pcs.
			mm	mm	mm	Pkt.
01 09 00534	50.212 MPOT	M12x1,5	4,5	15	5,5	100
01 09 01050	50.216 MPOT	M16x1,5	4,5	19	5,5	100
01 09 00553	50.220 MPOT	M20x1,5	4,5	24	5,5	100
01 09 00554	50.225 MPOT	M25x1,5	4,5	30	5,5	100
01 09 00555	50.232 MPOT	M32x1,5	4,5	36	5,5	100
01 09 00556	50.240 MPOT	M40x1,5	5	46	6	50
01 09 00904	50.250 MPOT	M50x1,5	5	60	6	50
01 09 00035	50.263 MPOT	M63x1,5	6	70	7	50

ACCESSORIES

SCREW PLUG

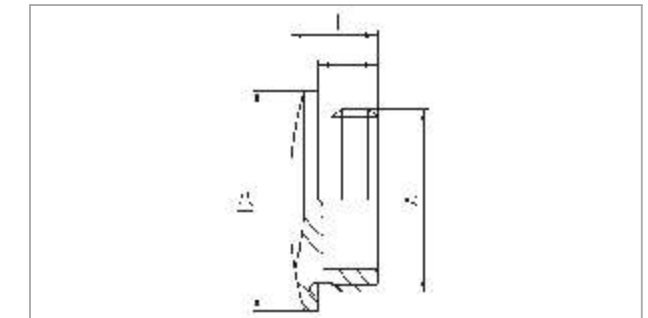
Configuration

Screw plug Brass CuZn39Pb3, nickel-plated

Properties

Temperature range For secure sealing of unused threaded or clearance holes up to +200°C

Protection grade IP54 available with O-ring for increased protection grade



Characteristics

Article No.	Description	A	L	H	Da	Pcs.
			mm	mm	mm	Pkt.
01 09 00108	10.1210	M12x1,0	4,5	7,5	16	100
01 09 00036	10.1215	M12x1,5	5	8	16	100
01 09 00037	10.1615	M16x1,5	6	9	20	100
01 09 00038	10.2015	M20x1,5	6,5	9,5	24	100
01 09 00039	10.2515	M25x1,5	7	11	28	100
01 09 01081	10.3215	M32x1,5	8	12	35	50
01 09 00110	10.4015	M40x1,5	8	12	45	50
01 09 00111	10.5015	M50x1,5	9	15	55	25
01 09 00040	10.6315	M63x1,5	10	16	68	10
01 09 01082	1007 M	Pg 7	5	8	14	100
01 09 00995	1009 M	Pg 9	6	9	17	100
01 09 00931	1011 M	Pg 11	6	9	20	100
01 09 00932	1013 M	Pg 13,5	6,5	9,5	22	100
01 09 00116	1016 M	Pg 16	6,5	9,5	24	100
01 09 00117	1021 M	Pg 21	7	11	30	100
01 09 00934	1029 M	Pg 29	8	12	39	50
01 09 01084	1036 M	Pg 36	9	15	50	25
01 09 01085	1042 M	Pg 42	10	16	57	25
01 09 01086	1048 M	Pg 48	10	16	64	10

ACCESSORIES

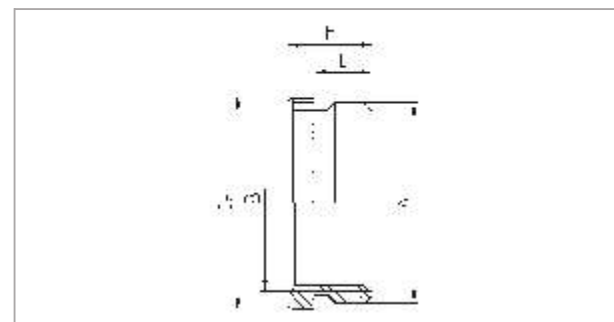
REDUCER

Configuration

Reduction Brass CuZn39Pb3, nickel-plated

Properties

Reduction of threaded or clearance holes to smaller thread size
 Temperature range up to +200°C
 Protection grade Dependent on the combination with other components



Characteristics

Article No.	Description	A	B	L	H	Da	Pcs. Pkt.
				mm	mm	mm	
01 09 00122	M16M12	M16x1,5	M12x1,5	6	8,5	20	100
01 09 00123	M20M12	M20x1,5	M12x1,5	6,5	9	24	100
01 09 00124	M20M16	M20x1,5	M16x1,5	6,5	9	24	100
01 09 00125	M25M16	M25x1,5	M16x1,5	7	10	30	100
01 09 00126	M25M20	M25x1,5	M20x1,5	7	10	30	100
01 09 00134	M32M20	M32x1,5	M20x1,5	8	11,5	39	50
01 09 00128	M32M25	M32x1,5	M25x1,5	8	11,5	39	50
01 09 00129	M40M25	M40x1,5	M25x1,5	9	12,5	50	25
01 09 00130	M40M32	M40x1,5	M32x1,5	9	12,5	50	25
01 09 00131	M50M32	M50x1,5	M32x1,5	10	14	57	10
01 09 00132	M50M40	M50x1,5	M40x1,5	10	14	57	10
01 09 00133	M63M40	M63x1,5	M40x1,5	10	14	70	10
01 09 00291	M63M50	M63x1,5	M50x1,5	10	14	70	10
01 09 01004	907	Pg 9	Pg 7	6	8,5	17	100
01 09 01005	1107	Pg 11	Pg 7	6	8,5	20	100
01 09 01006	1109	Pg 11	Pg 9	6	8,5	20	100
01 09 01007	1309	Pg 13,5	Pg 9	6,5	9	22	100
01 09 00996	1311	Pg 13,5	Pg 11	6,5	9	22	100
01 09 00135	1609	Pg 16	Pg 9	6,5	9,5	24	100
01 09 00136	1611	Pg 16	Pg 11	6,5	9,5	24	100
01 09 01008	1613	Pg 16	Pg 13,5	6,5	9,5	24	100
01 09 01010	2111	Pg 21	Pg 11	7	10	30	100
01 09 01009	2113	Pg 21	Pg 13,5	7	10	30	100
01 09 00999	2116	Pg 21	Pg 16	7	10	30	100
01 09 00137	2916	Pg 29	Pg 16	8	11,5	39	50
01 09 00998	2921	Pg 29	Pg 21	8	11,5	39	50
01 09 00139	3621	Pg 36	Pg 21	9	12,5	50	25
01 09 00140	3629	Pg 36	Pg 29	9	12,5	50	25
01 09 00141	4236	Pg 42	Pg 36	10	14	57	10
01 09 00142	4836	Pg 48	Pg 36	10	14	64	10

ACCESSORIES

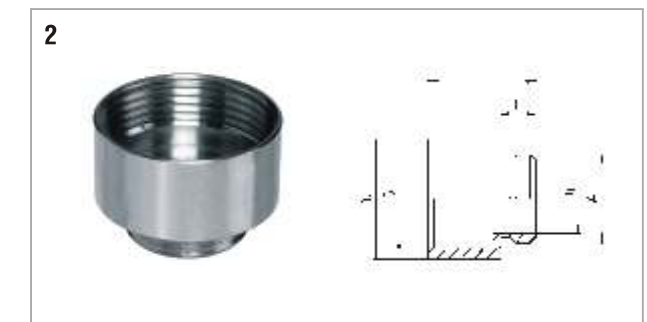
ENLARGER

Configuration

Enlarger Brass CuZn39Pb3, nickel-plated

Properties

Enlarger of threaded or clearance holes to larger thread sizes
 Temperature range up to +200°C
 Protection grade Dependent on the combination with other components



Characteristics

Article No.	Description	A	B	L	SW1	H	Di	Pcs. Pkt.
				mm	mm	mm	mm	
1 01 09 00292	M12M16/FR	M12x1,5	M16x1,5	5	18	16	8	100
01 09 00144	M16M20/FR	M16x1,5	M20x1,5	5	22	16,5	12	100
01 09 00145	M20M25/FR	M20x1,5	M25x1,5	6	27	18,5	15	50
01 09 00146	M25M32/FR	M25x1,5	M32x1,5	7	34	20,5	21	25
01 09 00147	M32M40/FR	M32x1,5	M40x1,5	8	42	23,5	26	25
01 09 00148	M40M50/FR	M40x1,5	M50x1,5	8	52	30	34	10
01 09 00149	M50M63/FR	M50x1,5	M63x1,5	9	65	32,5	44	10
2 01 09 00150	709	Pg 7	Pg 9	5	15	17	10	100
01 09 01098	911	Pg 9	Pg 11	6	16,5	20	12	100
01 09 00151	913	Pg 9	Pg 13,5	6	17,5	22	12	100
01 09 01099	1113	Pg 11	Pg 13,5	6	17,5	22	15	100
01 09 01100	1116	Pg 11	Pg 16	6,5	19	24	15	100
01 09 00152	1121	Pg 11	Pg 21	6,5	21	30	15	100
01 09 00153	1316	Pg 13,5	Pg 16	6,5	19	24	17	100
01 09 00154	1321	Pg 13,5	Pg 21	6,5	21	30	17	100
01 09 00053	1621	Pg 16	Pg 21	6,5	21	30	18,5	100
01 09 00155	1629	Pg 16	Pg 29	6,5	22,5	39	18,5	50
01 09 00054	2129	Pg 21	Pg 29	7	23	39	24	50
01 09 00156	2936	Pg 29	Pg 36	8	27,5	50	32	25
01 09 00157	3642	Pg 36	Pg 42	9	31	57	42	10
01 09 00293	4248	Pg 42	Pg 48	10	33	64	48	10

CABLE GLANDS

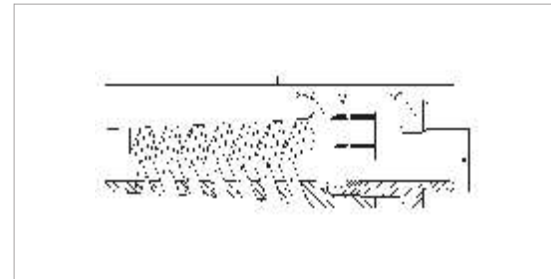
CABLE GLAND

Configuration

Dome nut	Polyamide PA6 V-2
Sealing ring	Polychloroprene- Nitrile rubber CR/NBR
Connecting thread	Pg as per DIN 40430
Gland body	Polyamide PA6 V-2
Connecting thread	Pg as per DIN 40430

Properties

	With spiral top, for movable flexible cables, integrated anchorage, wide sealing and clamping range, easy-to-install
Temperature range	-20°C / +100°C
Protection grade	IP68 - 5 bar
Test standard	UL 514B



Characteristics

Connecting thread standard length

Article No.	RAL 7001 Silver grey Description	A	øC mm	Ø _{mm} L mm	SW1 mm	SW2 mm	H mm	Pcs. Pkt.
01 09 00445	50.007 PA/BS	Pg 7	3 - 6,5	8	15	15	63	100
01 09 00376	50.009 PA/BS	Pg 9	4 - 8	8	19	19	74	100
01 09 00377	50.011 PA/BS	Pg 11	5 - 10	8	22	22	87	100
01 09 00378	50.013 PA/BS	Pg 13,5	6 - 12	9	24	24	98	50
01 09 00379	50.016 PA/BS	Pg 16	10 - 14	10	27	27	112	25
01 09 00380	50.021 PA/BS	Pg 21	13 - 18	11	33	33	130	25

Connecting thread standard length

Article No.	RAL 7035 Light grey Description	A	øC mm	Ø _{mm} L mm	SW1 mm	SW2 mm	H mm	Pcs. Pkt.
01 09 01027	50007PABS7035	Pg 7	3 - 6,5	8	15	15	63	100
01 09 01073	50009PABS7035	Pg 9	4 - 8	8	19	19	74	100
01 09 01028	50011PABS7035	Pg 11	5 - 10	8	22	22	87	100
01 09 01029	50013PABS7035	Pg 13,5	6 - 12	9	24	24	98	50
01 09 01074	50016PABS7035	Pg 16	10 - 14	10	27	27	112	25
01 09 01030	50021PABS7035	Pg 21	13 - 18	11	33	33	130	25

Connecting thread standard length

Article No.	RAL 9005 Jet black Description	A	øC mm	Ø _{mm} L mm	SW1 mm	SW2 mm	H mm	Pcs. Pkt.
01 09 00387	50.007 PABSSW	Pg 7	3 - 6,5	8	15	15	63	100
01 09 00388	50.009 PABSSW	Pg 9	4 - 8	8	19	19	74	100
01 09 00389	50.011 PABSSW	Pg 11	5 - 10	8	22	22	87	100
01 09 00390	50.013 PABSSW	Pg 13,5	6 - 12	9	24	24	98	50
01 09 00391	50.016 PABSSW	Pg 16	10 - 14	10	27	27	112	25
01 09 00392	50.021 PABSSW	Pg 21	13 - 18	11	33	33	130	25

ACCESSORIES

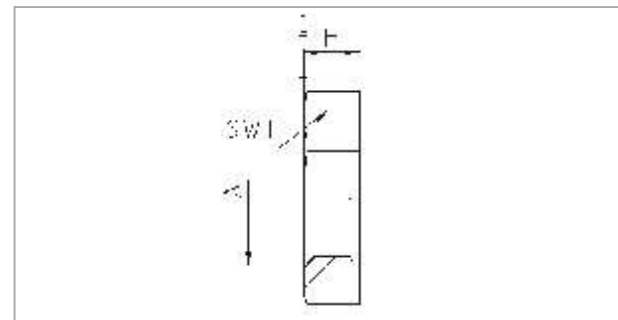
HEXAGONAL LOCKNUT

Configuration

Hexagonal locknut Polyamide PA6 GF30

Properties

For secure tightening of cable glands and accessories
 Temperature range -20°C / +100°C



Characteristics

Article No.	RAL 7001 Silver grey Description	Article No.	RAL 7035 light grey Description	A	SW1 mm	H mm	Pcs. Pkt.
01 09 00510	50.212 PA7001	01 09 00509	50.212 PA7035	M12x1,5	17	5	100
01 09 00509	50.216 PA7001	01 09 00922	50.216 PA7035	M16x1,5	22	5	100
01 09 00568	50.220 PA7001	01 09 00518	50.220 PA7035	M20x1,5	27	6	100
01 09 00569	50.225 PA7001	01 09 00519	50.225 PA7035	M25x1,5	32	6	100
01 09 00508	50.232 PA7001	01 09 00521	50.232 PA7035	M32x1,5	41	7	100
01 09 00942	50.240 PA7001	01 09 00522	50.240 PA7035	M40x1,5	50	7	50
01 09 00073	50.250 PA7001	01 09 00923	50.250 PA7035	M50x1,5	60	8	50
01 09 00898	50.263 PA7001	01 09 00523	50.263 PA7035	M63x1,5	75	8	50
01 09 00481	207 PA7001	01 09 00242	207 PA7035	Pg 7	19	5	100
01 09 00503	209 PA7001	01 09 00243	209 PA7035	Pg 9	22	5	100
01 09 00915	211 PA7001	01 09 00244	211 PA7035	Pg 11	24	5	100
01 09 00916	213 PA7001	01 09 00490	213 PA7035	Pg 13,5	27	6	100
01 09 00917	216 PA7001	01 09 00245	216 PA7035	Pg 16	30	6	100
01 09 00482	221 PA7001	01 09 00520	221 PA7035	Pg 21	36	7	100
01 09 00504	229 PA7001	01 09 00246	229 PA7035	Pg 29	46	7	100
01 09 00505	236 PA7001	01 09 00247	236 PA7035	Pg 36	60	8	50
01 09 00977	242 PA7001	01 09 00248	242 PA7035	Pg 42	65	8	50
01 09 00506	248 PA7001	01 09 00249	248 PA7035	Pg 48	70	8	50

ACCESSORIES

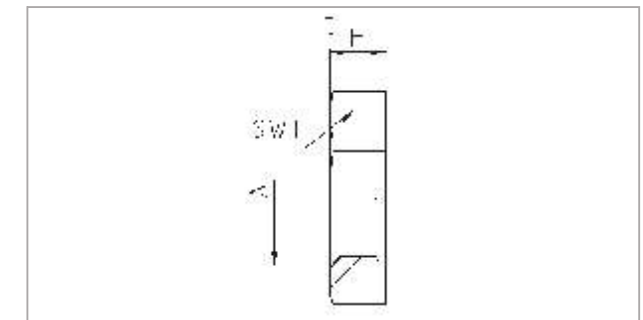
HEXAGONAL LOCKNUT

Configuration

Hexagonal locknut Polyamide PA6 GF30

Properties

For secure tightening of cable glands and accessories
 Temperature range -20°C / +100°C



Characteristics

Article No.	RAL 9005 Jet black Description	A	SW1 mm	H mm	Pcs. Pkt.
01 09 00896	50.212 PA/SW	M12x1,5	17	5	100
01 09 00551	50.216 PA/SW	M16x1,5	22	5	100
01 09 00552	50.220 PA/SW	M20x1,5	27	6	100
01 09 00557	50.225 PA/SW	M25x1,5	32	6	100
01 09 00558	50.232 PA/SW	M32x1,5	41	7	100
01 09 00559	50.240 PA/SW	M40x1,5	50	7	50
01 09 00897	50.250 PA/SW	M50x1,5	60	8	50
01 09 00908	50.263 PA/SW	M63x1,5	75	8	50
01 09 00513	207 PA/SW	Pg 7	19	5	100
01 09 01052	209 PA/SW	Pg 9	22	5	100
01 09 00511	211 PA/SW	Pg 11	24	5	100
01 09 00560	213 PA/SW	Pg 13,5	27	6	100
01 09 00107	216 PA/SW	Pg 16	30	6	100
01 09 00512	221 PA/SW	Pg 21	36	7	100
01 09 00109	229 PA/SW	Pg 29	46	7	100
01 09 00516	236 PA/SW	Pg 36	60	8	50
01 09 00138	242 PA/SW	Pg 42	65	8	50
01 09 00517	248 PA/SW	Pg 48	70	8	50

ACCESSORIES

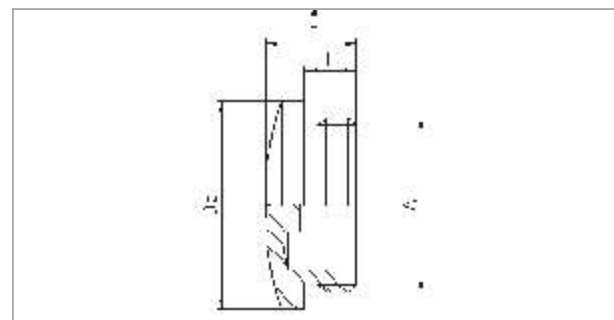
SCREW PLUG

Configuration

Pressure screw	Polyamide PA6 GF30	1
	Polystyrene	2

Properties

	For secure sealing of unused threaded or clearance hole	
Temperature range	-30°C / +80°C	1
	-20°C / +70°C	2
Protection grade	IP54, higher protection grade possible if assembled with sealing ring	



Characteristics

	RAL 7001 Silver grey		RAL 7035 Light grey		A	L mm	H mm	Da mm	Pcs. Pkt.	
	Article No.	Description	Article No.	Description						
1	01 09 01011	10.1215 PA	01 09 00271	10.1215PA7035	M12x1,5	6	10	15	100	
	01 09 01012	10.1615 PA	01 09 00272	10.1615PA7035	M16x1,5	6	10,5	20	100	
	01 09 00269	10.2015 PA	01 09 00273	10.2015PA7035	M20x1,5	6	10,5	24	100	
	01 09 00270	10.2515 PA	01 09 00274	10.2515PA7035	M25x1,5	8	13	30	100	
	01 09 01013	10.3215 PA	01 09 00275	10.3215PA7035	M32x1,5	8	13,5	37	100	
	01 09 00264	10.4015 PA	01 09 00043	10.4015PA7035	M40x1,5	8	14	46	50	
	01 09 00265	10.5015 PA	01 09 00044	10.5015PA7035	M50x1,5	10	16,5	56	50	
	01 09 00143	10.6315 PA	01 09 00279	10.6315PA7035	M63x1,5	12	17	70	50	
	2			01 09 00112	1007 PG	Pg 7	6	10	15	100
				01 09 00630	1009 PG	Pg 9	6	10	19	100
				01 09 01001	1011 PG	Pg 11	6	10	22	100
				01 09 01003	1013 PG	Pg 13,5	6	10	25	100
			01 09 01002	1016 PG	Pg 16	6	10	27	100	
			01 09 00276	1021 PG	Pg 21	8	12,5	33	100	
			01 09 00279	1029 PG	Pg 29	8	13	44,5	100	
			01 09 00278	1036 PG	Pg 36	10	15	55,5	50	
		01 09 00042	1042 PG	Pg 42	10	15,5	62,5	50		
		01 09 00280	1048 PG	Pg 48	12	17	69,5	50		

ACCESSORIES

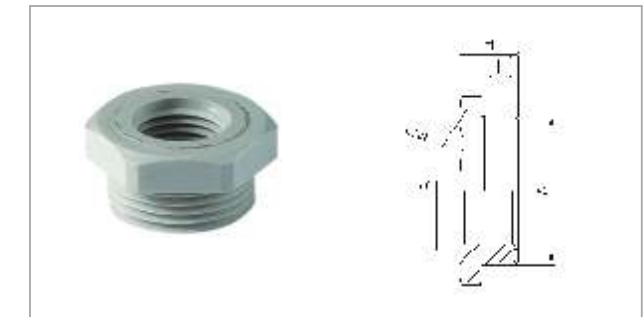
REDUCER

Configuration

Reducer	Polyamide PA6 GF30
---------	--------------------

Properties

	Reduction of threaded or clearance holes to smaller thread sizes	
Temperature range	-30°C / +100°C	
Protection grade	dependent on the combination with other components	



Characteristics

Article No.	RAL 7035 Light grey		A	B	L mm	SW1 mm	H mm	Pcs. Pkt.
	Article No.	Description						
01 09 01088		M16M12 PA	M16x1,5	M12x1,5	8	24	12	100
01 09 01089		M20M12 PA	M20x1,5	M12x1,5	8	24	12	100
01 09 01090		M20M16 PA	M20x1,5	M16x1,5	8	24	12	100
01 09 01091		M25M12 PA	M25x1,5	M12x1,5	8	29	14	100
01 09 01092		M25M16 PA	M25x1,5	M16x1,5	8	29	14	100
01 09 00311		M25M20 PA	M25x1,5	M20x1,5	8	29	14	100
01 09 01093		M32M16 PA	M32x1,5	M16x1,5	10	36	16	50
01 09 01094		M32M20 PA	M32x1,5	M20x1,5	10	36	16	50
01 09 01113		M32M25 PA	M32x1,5	M25x1,5	10	36	16	50
01 09 01095		M40M20 PA	M40x1,5	M20x1,5	10	46	16	50
01 09 01096		M40M25 PA	M40x1,5	M25x1,5	10	46	16	50
01 09 01114		M40M32 PA	M40x1,5	M32x1,5	10	46	16	50
01 09 01115		M50M32 PA	M50x1,5	M32x1,5	12	55	18	25
01 09 01284		M50M40 PA	M50x1,5	M40x1,5	12	55	18	25
01 09 01285		M63M40 PA	M63x1,5	M40x1,5	12	68	18	25
01 09 01286		M63M50 PA	M63x1,5	M50x1,5	12	68	18	25

ACCESSORIES

ENLARGER

Configuration

Enlarger Polyamide PA6 GF30

Properties

Enlarger of threaded or clearance holes to larger thread sizes
 Temperature range -30°C / +100°C
 Protection grade dependent on the combination with other components



Characteristics

Article No.	RAL 7035 light grey Description	A	B	L mm	SW1 mm	H mm	Da mm	Pcs. Pkt.
01 09 00287	M12M16PA	M12x1,5	M16x1,5	8	20	20,5	7	100
01 09 00288	M16M20PA	M16x1,5	M20x1,5	8	24	20,5	11	100
01 09 00119	M20M25PA	M20x1,5	M25x1,5	8	30	21	15	100
01 09 00289	M25M32PA	M25x1,5	M32x1,5	8	37	23	19	50
01 09 00290	M32M40PA	M32x1,5	M40x1,5	10	45	25	26	50